

1 Attachment



Remote control



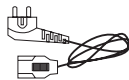
Battery



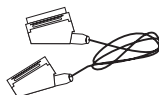
User manual



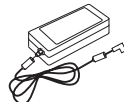
Warranty card



Power cord



SCART cord



ADAPTER



Earphone

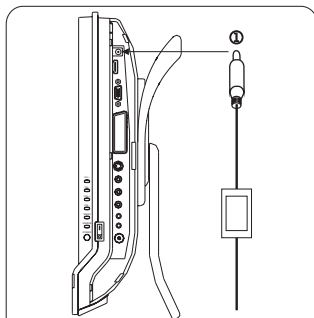


DVB-T antenna

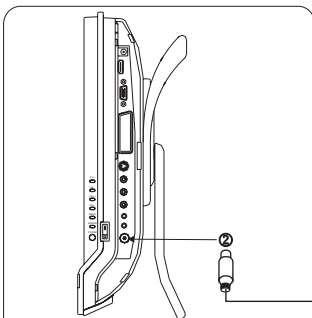


Car-lighter

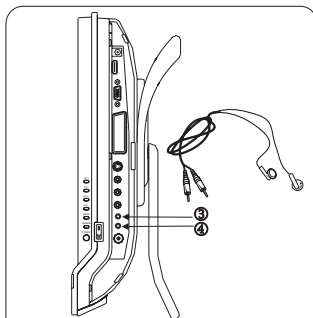
2 PREPARING THE TV FOR USE



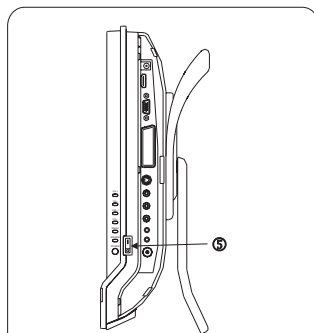
1. Unpack the gift box contents to gather your TV and relevant accessories as shown in the illustration above, then position the TV in a suitable place, insert DC terminal of the adapter or car-lighter to DC jack of the TV, and finally finish the connection between adapter and wall outlet.



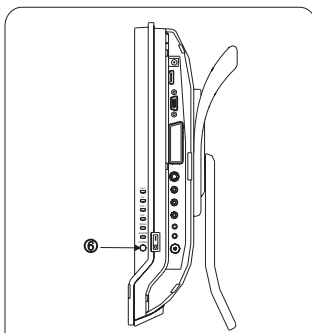
2. Insert RF terminal of outdoor TV antenna, CATV, or DVB-T antenna into the ANT (RF input) port of the TV, and make sure the connection is correct.



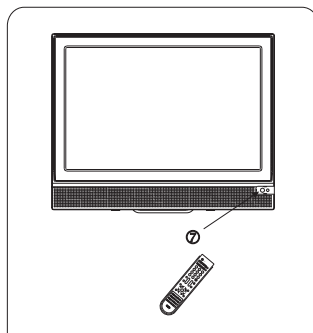
3. If necessary, plug the supplied earphone into the AUDIO OUT port of the TV.
Note: There are two AUDIO ports as illustration above, one is AUDIO IN(3), and the other is AUDIO OUT(4).



4. To switch on the TV, press ON/OFF button at the side of the TV, default state of the TV is standby mode.



5. Press POWER button(6) located at the side of the TV itself or POWER button on the remote control to turn on the TV from standby mode.



6. Use the remote control to choose your desired TV program.
Note: Never cover the IR sensor window(7) or put obstruct between remote control and IR sensor window(7).